

ADVANCE ADAPTERS INC.

P.O. Box 247, 4320 Aerotech Center Way

Paso Robles, CA 93447

Telephone: (800) 350-2223 Fax: (805) 238-4201

P/N: 716017

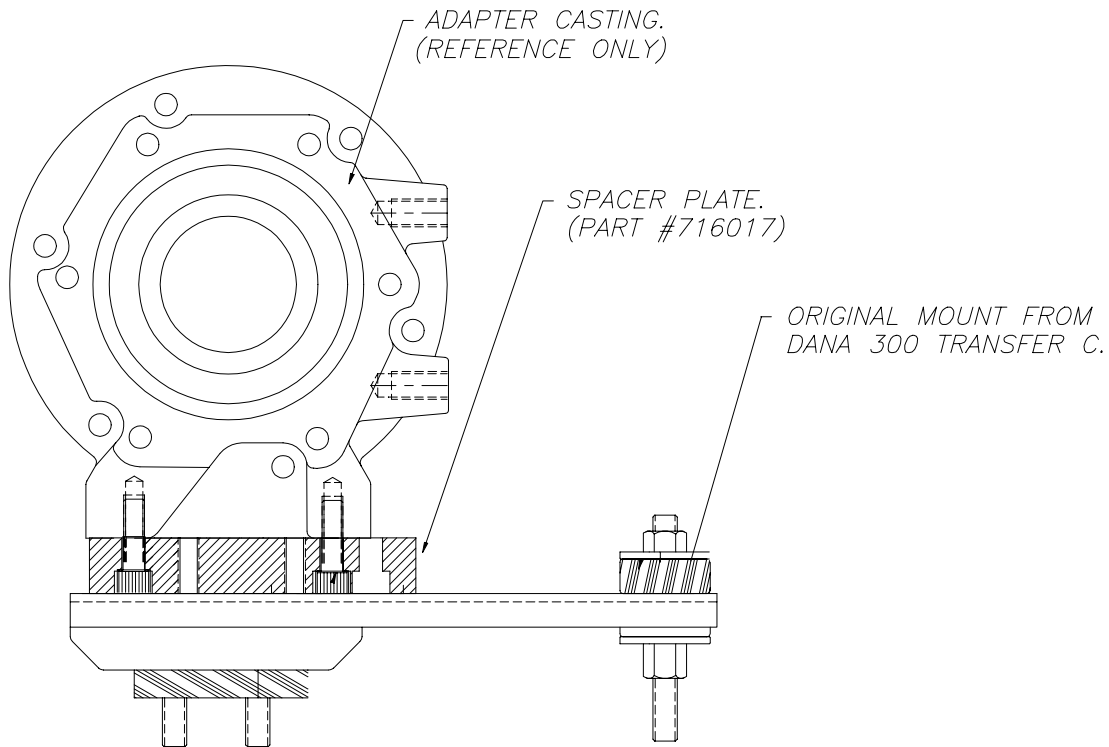
PAGE 1 OF 1

Page Rev. Date: 12-27-01

TRANSFER CASE CROSSMEMBER SPACER PLATE, 1971 THRU 1991

KIT CONSISTS OF:

<u>No.</u>	<u>Qty</u>	<u>Part No.</u>	<u>Description</u>
1.	1	716017-BLK	SPACER PLATE
2.	2	723730	SOCKET HEAD CAP SCREW 3/8"-16 X 1-1/4" <i>(Bolts bar to new adapter)</i>
3.	2	724307	H.H.C.S. 7/16"-14 X 1" LONG <i>(Bolts new bar to original rubber)</i>
4.	2	724326	S.H.C.S. 7/16"-14 X 1-1/2" PLAIN <i>(Bolts to transmission adapter)</i>
5.	2	724328	H.H.C.S. 7/16"-14 X 1-1/4" <i>(Bolts to transmission adapter '88 & up)</i>



SPECIAL NOTE: The components packaged in this kit have been assembled and machined for specific type of conversions. Modifications to any of the components will void any possible warranty or return privileges. If you do not fully understand modifications or changes that will be required to complete your conversion, we strongly recommend that you contact our sales department for more information. This instruction sheet is only to be used for the assembly of Advance Adapter components. We recommend that a service manual pertaining to your vehicle be obtained for specific torque values, wiring diagrams and other related equipment. These manuals are normally available at automotive dealerships and parts stores.